



## GC-02

### Group control for 2 motors

#### Product description

The GC-02 is a control relay for controlling blind and roller shutter motors with mechanical or electronic end switches. The isolating relay is used to prevent unallowed parallel switching of blind or roller shutter motors.

There might be connected up to 2 motors to 1 GC-02. To control more than 2 motors several group controllers might be connected in parallel.

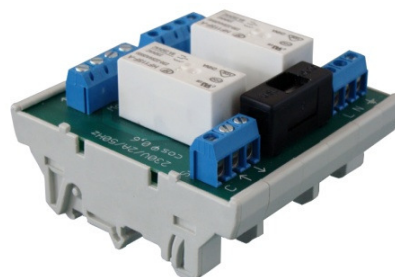
#### Central control

Via central control the connected motors can be controlled simultaneously. Blind switches, pushbuttons, timeclocks, KNX blind actuators and several control units with potential free contacts might be used as switching devices.

Attention! Take care that the switchover time of the relay between up and down is > 0,5 sec. to prevent the connected motor from damage (note technical data of motor).

#### Security advices

- Equipment connection and start-up shall be carried out by authorized skilled electricians only.
- For installation, assembly, operating and accident prevention please comply with the regional provisions in force.
- Switch off supply voltage before connection and maintenance operations. In case of using different phases take care of all-pole switch off.
- Do not start the device in case of dangerous situation, but rather set it out of service.
- The device shall be used for the intended use only and according to the specified technical data.
- The device must not be opened.



CE

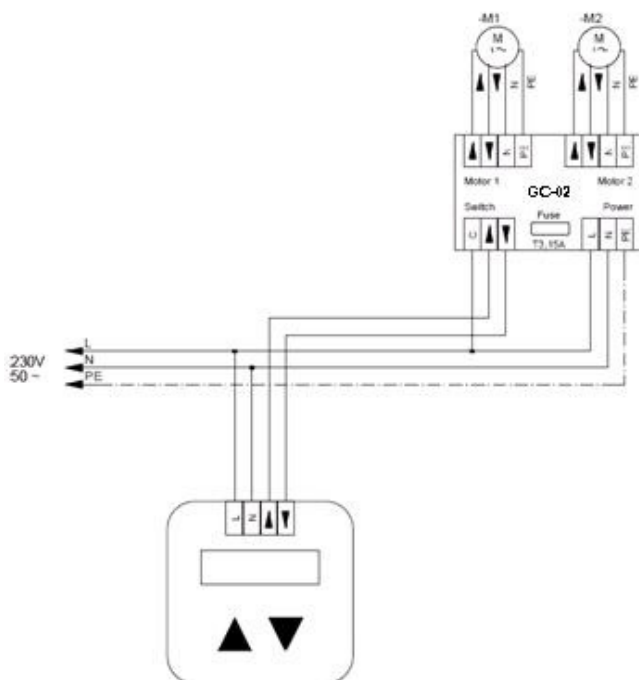
#### Technical data

Supply voltage	230 V AC, 50 Hz
Control voltage	230 V AC, 50 Hz
Switching capacity	2 A (AC1/cos phi 0,6)
Current consumption	10 mA
Fuse	T 4 A
Outputs	for 2 asynchronous motors 230 V AC
Connection clamps	screw clamps 0,5-2,5 mm <sup>2</sup> single wire 0,5-1,5 mm <sup>2</sup> fine wire with wire-end ferrule
Operation area	dry rooms pollution index 2 (IEC 60664-1)
Type of protection	IP20
Overload category	3 (IEC 60664-1)
CE-marking	Low Voltage Directive
Mounting	DIN-rail 35mm, width 4SU
Dimensions	67x71x32mm (W x H x D)
Weight	approx. 0,1 kg

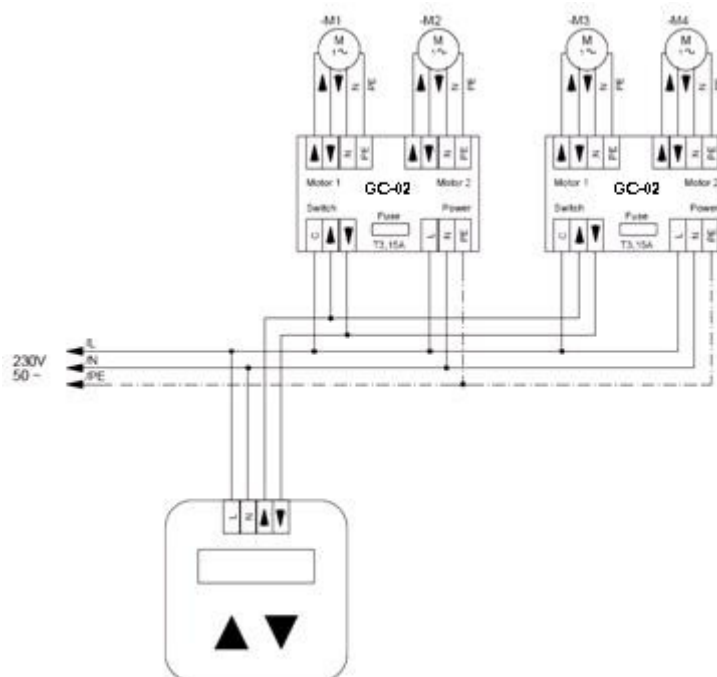


**Connection plan**

**Central control (i.e. clock timer)**



**Group with single, group and central control**



TD\_GC-02\_en\_V1.0\_07-2014.docx